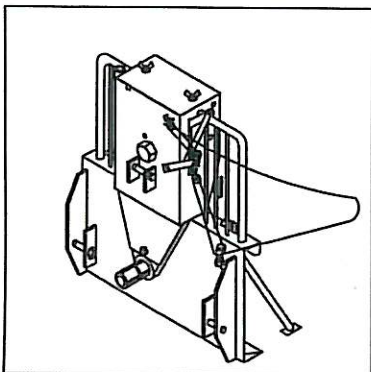


IGLAND 2001, Parts Catalogue

Serial No.: 2001201 →



GENERAL INFO:

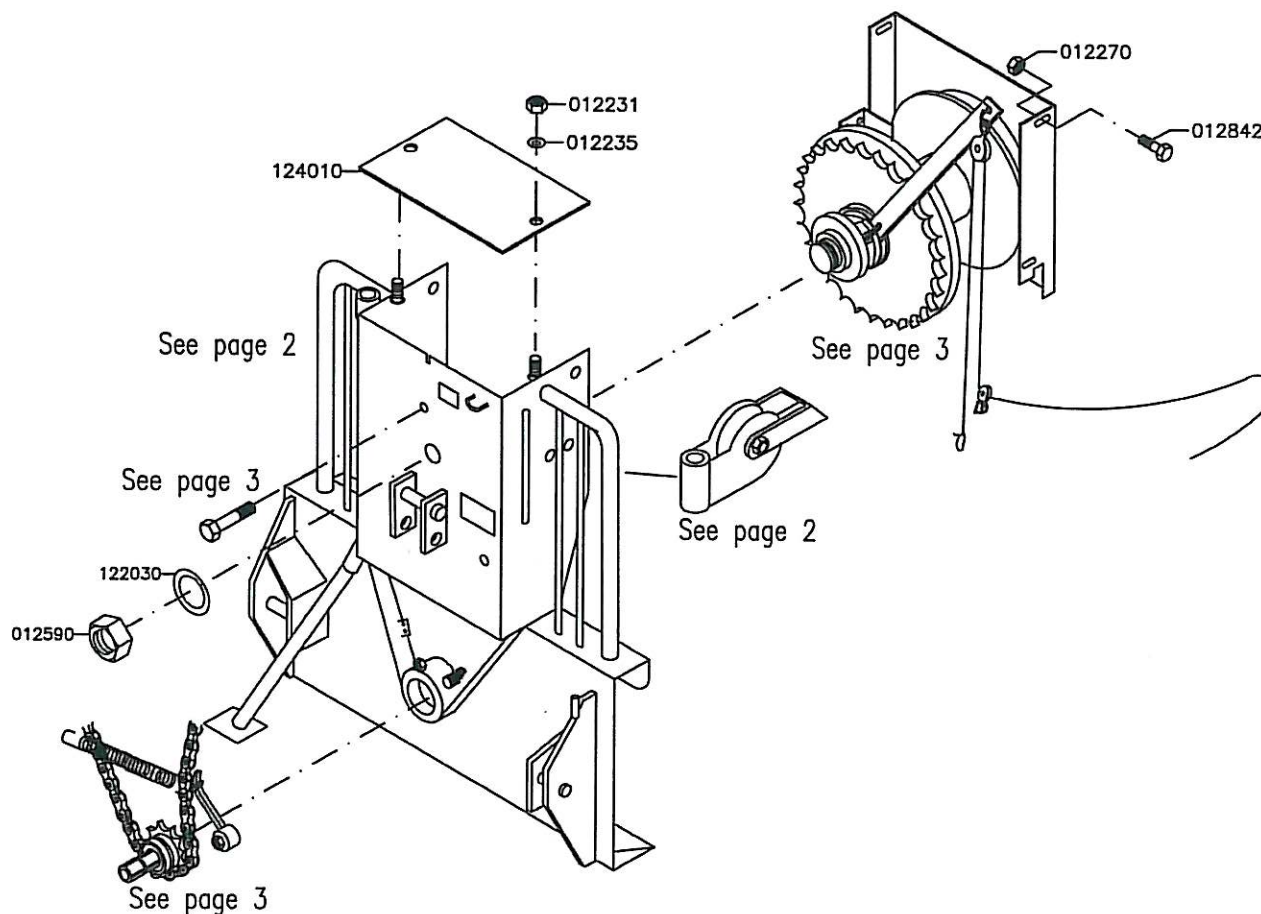
This Parts Catalogue consists of 4 numbered pages.

This Catalogue: P/N 390020

N/A: Not Available

© IGLAND AS

- Gjengivelse av tekst og tegninger uten tillatelse forbudt.
- Reproduction of text or illustrations without permission is prohibited.
- Etne Wiedergabe von Texten und Zeichnungen ohne unsere Genehmigung ist nicht gestattet.
- Interdiction de toute reproduction de textes ou d'illustrations sans autorisation préalable.

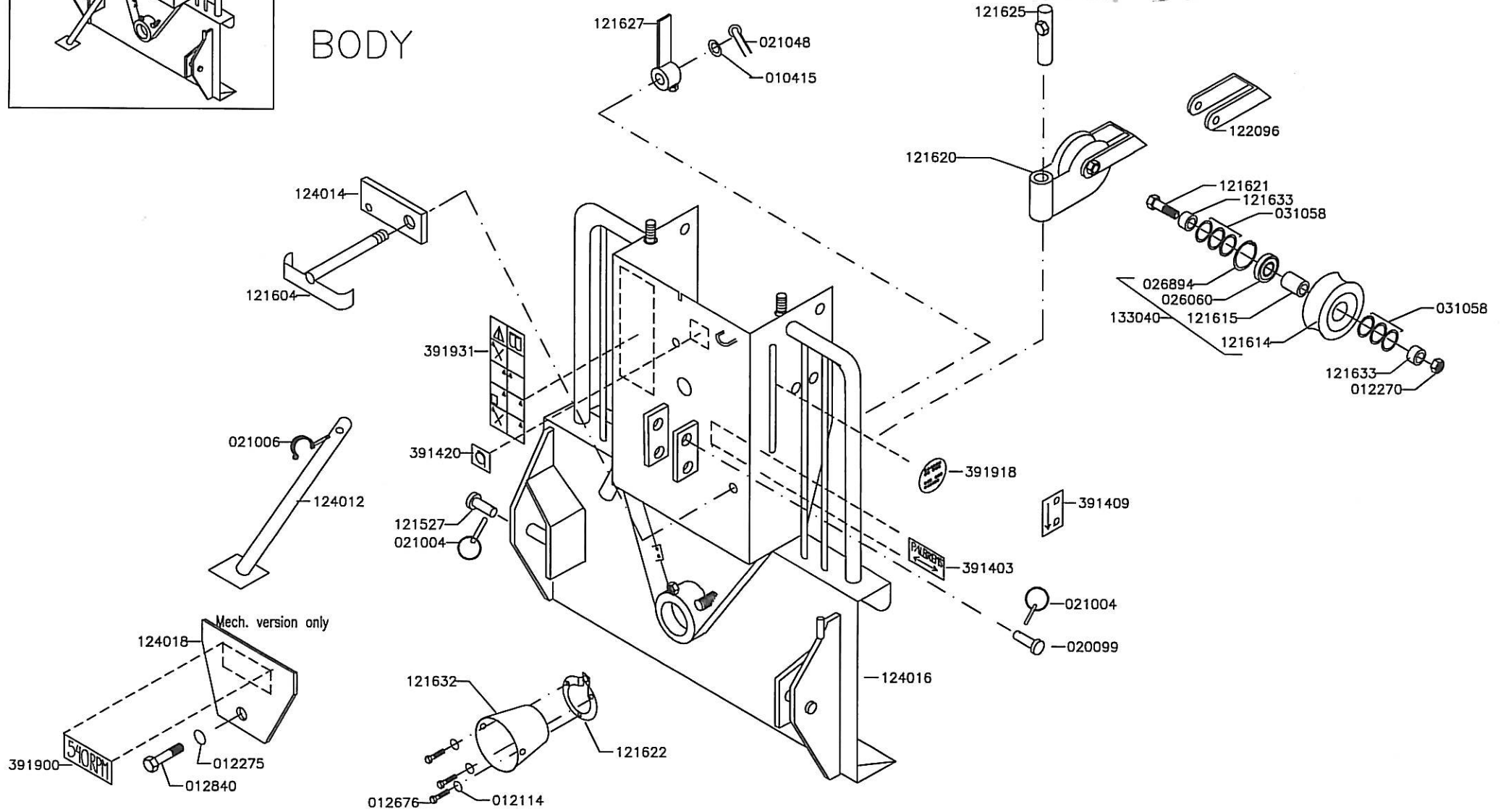
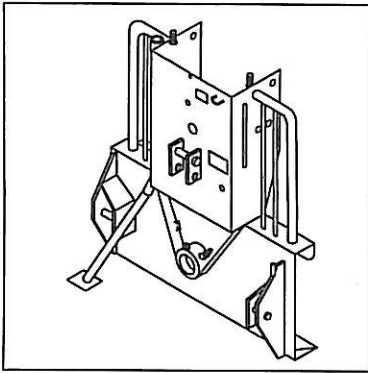


Kattegat Teknik ApS, Rolshøjvej 2, 8500 Grenaa, Denmark
 Tlf. +45 87 59 12 12, mail@kattgateteknik.dk
 www.kattgateteknik.dk

Approved:	Revised:
	Issued: 01 30.05.2006

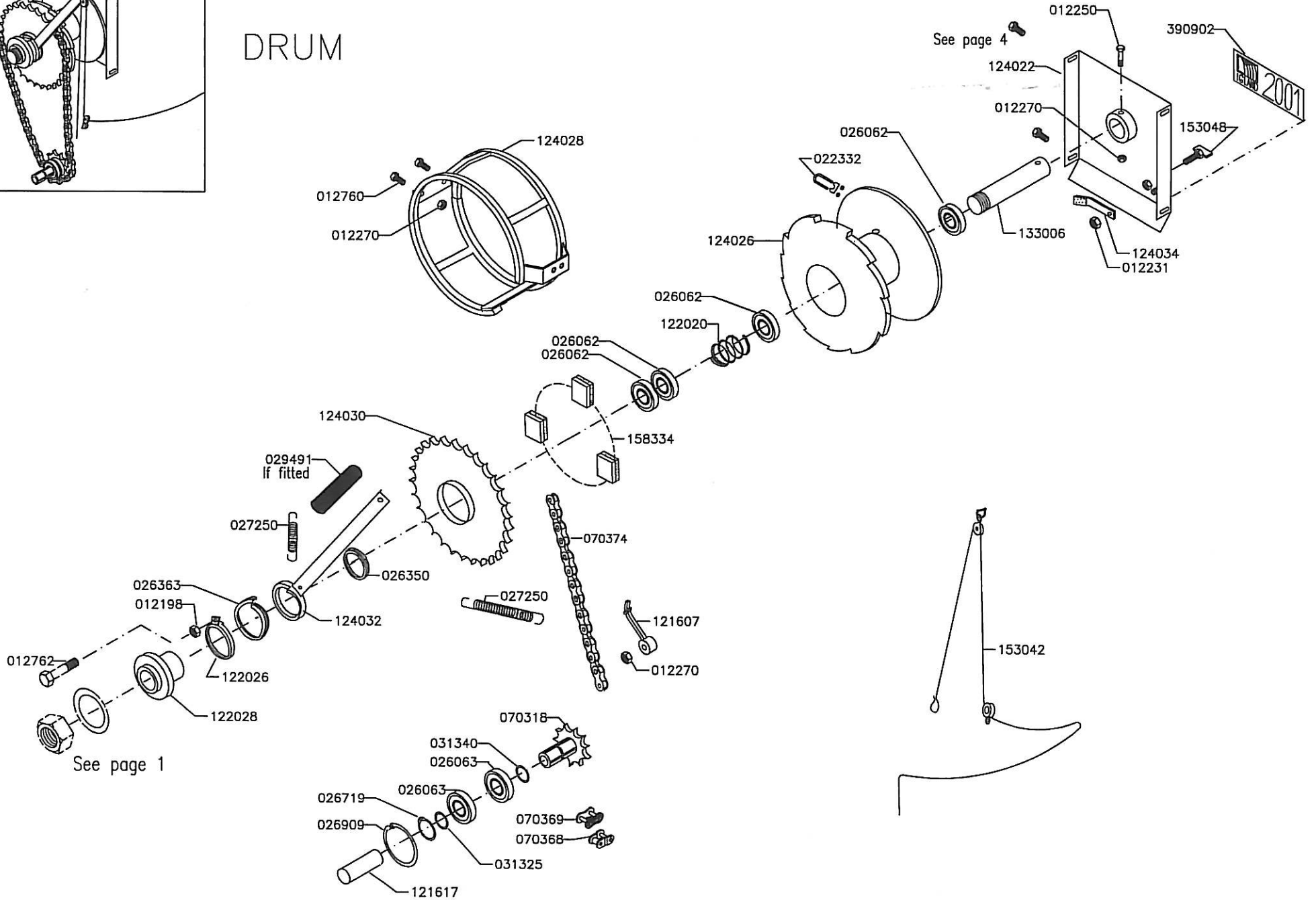
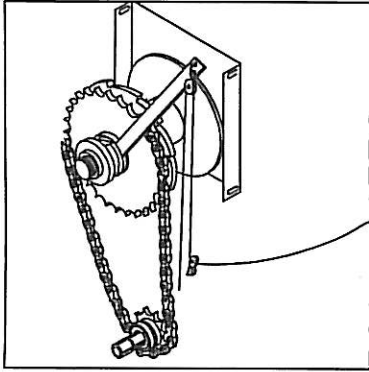
IGLAND 2001

BODY



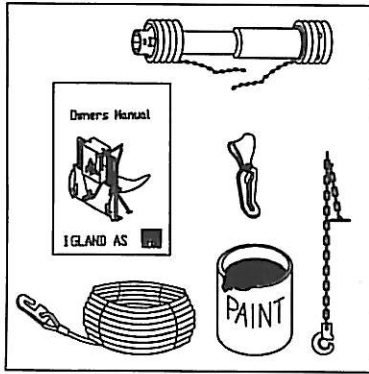
IGLAND 2001

DRUM

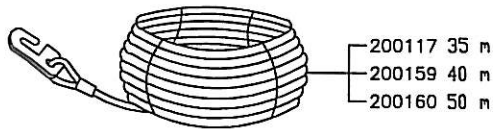


IGLAND 2001

Miscellaneous

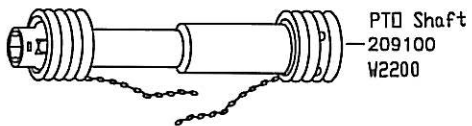


WIRE ROPE, 6x26WS+IWRC 180 kp, 8 mm

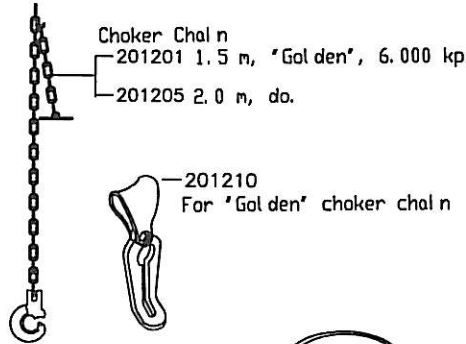


- 200117 35 m
- 200159 40 m
- 200160 50 m

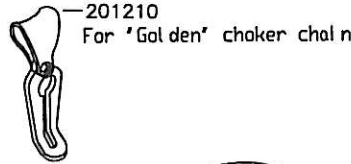
WIRE ROPE, according to ISO 4254-4



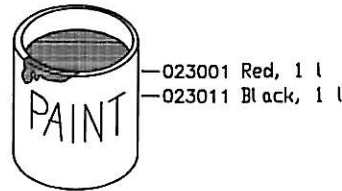
PTD Shaft
—209100
W2200



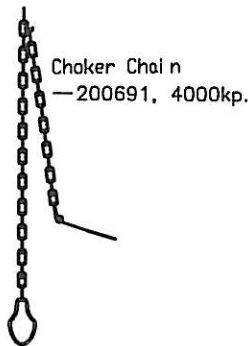
Choker Chain
—201201 1.5 m, 'Golden', 6.000 kp
—201205 2.0 m, do.



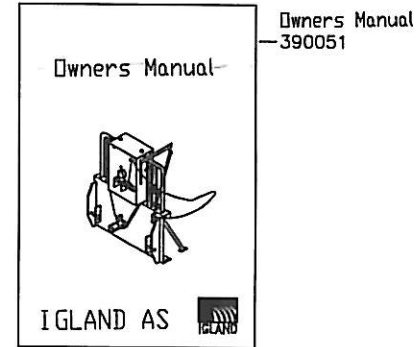
—201210
For 'Golden' choker chain



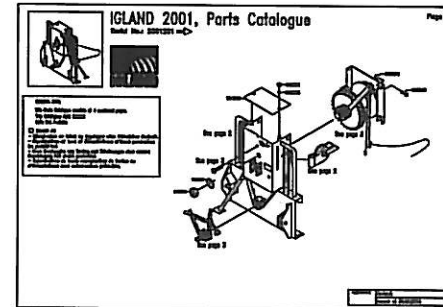
—023001 Red, 1 l
—023011 Black, 1 l



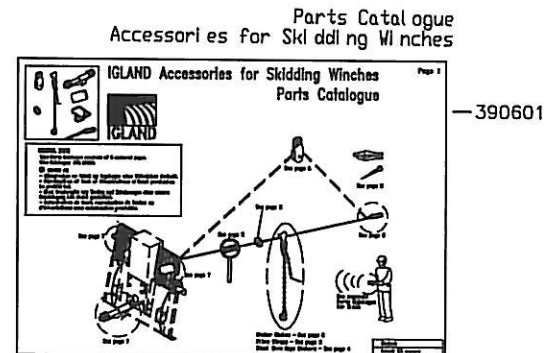
Choker Chain
—200691, 4000kp.



Owners Manual
—390051



Parts Catalogue
—390020



—390601